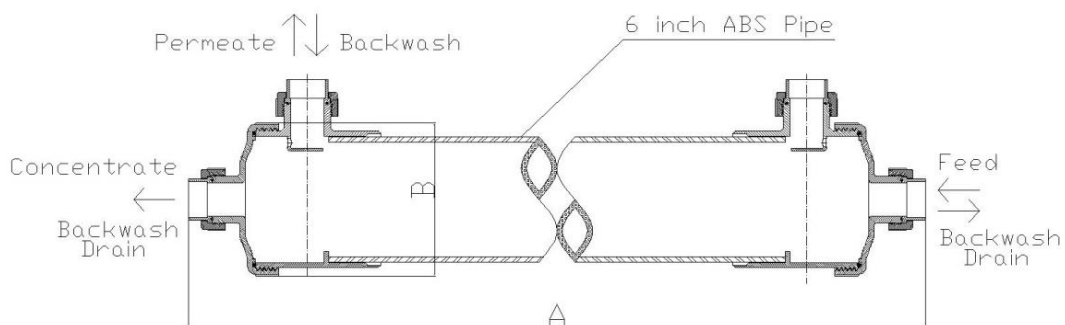


## PHILOSEP Master 6050 Membrane module Specification

Product	Master 6050
<b>Membrane</b>	
Type	Hollow fiber
Membrane Polymer	Polysulfone / Polyethersulfone
MWCO	10,000 dalton / 30,000 dalton
Nominal Membrane Area	10 m <sup>2</sup>
Filtration Type	Inside-out
<b>Application Data</b>	
Maximum Applied Feed Pressure	3 kg/cm <sup>2</sup>
Recommended Transmembrane Pressure	1.0 ~ 2.0 kg/cm <sup>2</sup>
Maximum Transmembrane Pressure	2.5 kg/cm <sup>2</sup>
Maximum Operating Temperature	104 °F (40 °C)
pH	2 ~ 10
<b>Chemical Cleaning</b>	
Time	60-90 minutes
Chemical	Inorganic : 1-2% Oxalic acid or 1~2% Citric acid Organic : 0.1% NaOH + 0.2% NaClO
Flow	0.6 ~ 1.2 m <sup>3</sup> /hr
Temperature	30 ~ 35 °C



A (mm)	B (mm)	Port Size	Weight(kg)
942	1,120	DN40	30(wet)

**PHILOS Co., Ltd.**

B Block #1210, 60 Haan-ro, Gwangmyeong-si, Gyeonggi-do, Korea 423-795

Tel) +82-2-859-3456, Fax) +82-31-434-3612

e-mail) ksd@pmbr.co.kr www.pmbr.co.kr